

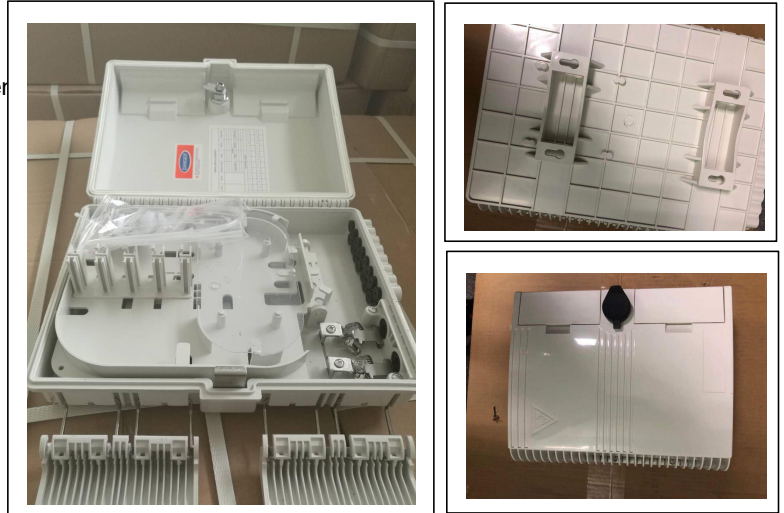
## 16 cores Fiber Optic Terminal Box (Model# FF-FTB16A)

This Snap-Lock IP65 distribution box offers the ability to terminate 16 fibres housed in an IP65 rated box. Suitable for both SC Simplex and LC Duplex adapter types.

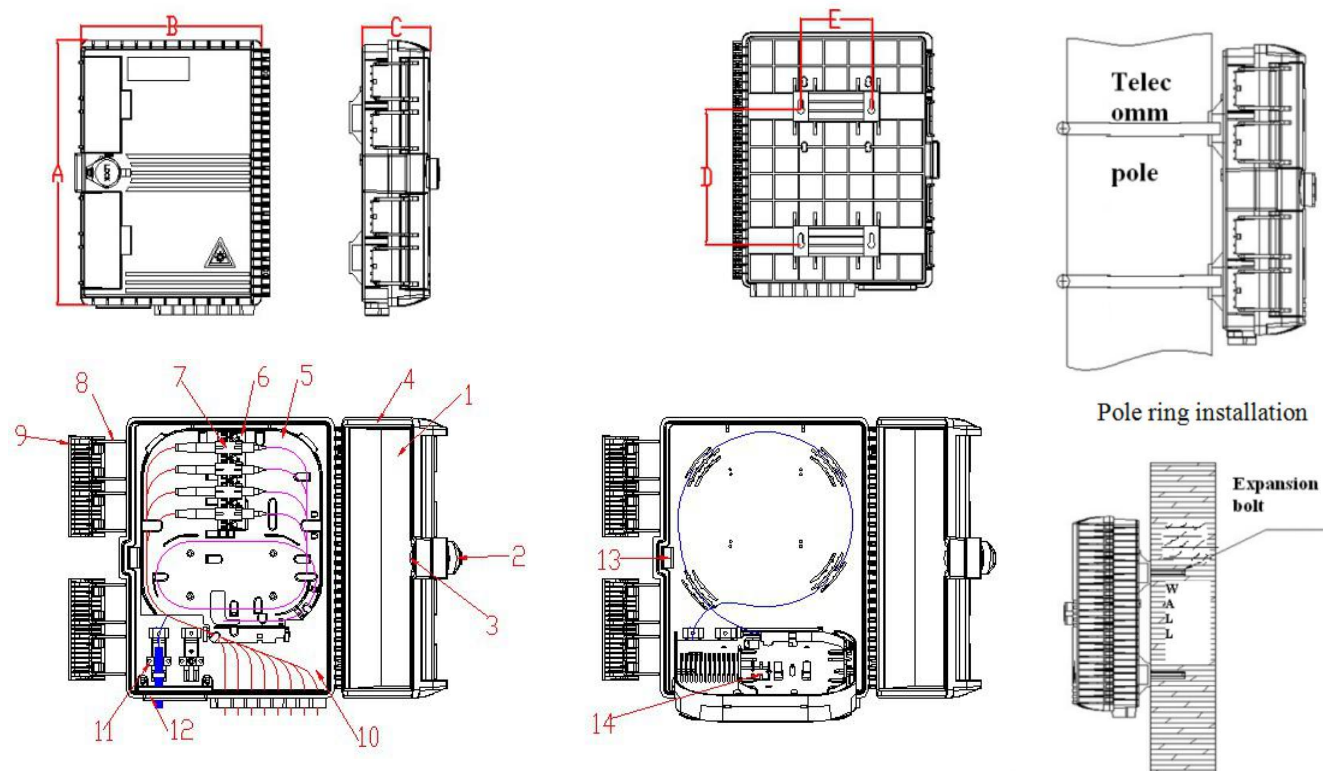
Can be used internally and externally. It offers up to 16 exit points for patching cables and 2 standard cable entry point for loose tube, tight buffered, pre-terminated and steel tape armoured cable. Each enclosure has integrated strength member tie positions and bend radius protection with the addition of a removable front door, allowing for quick and easy installation.

### Features:

1. Water-proof design with IP65 Protection level
2. Integrated with splice cassette and cable management system
3. Manage small & large quantities of fiber with a density
4. Easy to maintain and extend the capacity
5. Fiber bend radius control more than 40mm
6. Suitable for the fusion splice or mechanical splice
7. Capacity of fiber up to 16 ports
8. Varies of adapters are available
9. 1×8, 1×16 PLC Splitter can be installed as an option
10. Efficient cable management
11. UV protection and anti-aging material
12. Burglar-proof padlock



Model	Description	Size	Max Capacity			Size	Cable ways
		A*B*C(mm)	SC	LC	PLC	D*E (mm)	
FF-FTB16A	Distribution Box	293*219*84	16	32	32(LC)	155*82	Not cup-joint / cup-joint



1.Lid; 2.Lock coat; 3.Lock; 4.Seal gasket; 5.Splicing flap plate; 6.Adaptor holder; 7.Adaptor; 8.Lid lock joint bracket; 9.Lid lock clip; 10.Base; 11. Cable strengthen mound layer; 12. Joint (Option) ; 13.Lock panel; 14.PLC mounting position

Wall mounted installation